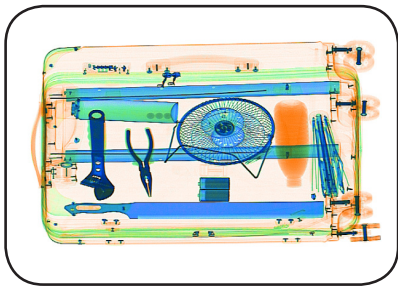


# Dual Energy X-ray Inspection System ZKX6550V



## Highlights

- Video surveillance system
- The black-and-white list function based on face recognition
- Widely usable for carry-on baggage

## Standard

- Fingerprint console board
- Dual monitor operation desk
- Video surveillance
- Face recognition

## Optional

- Auto-start function
- Bi-directional scanning
- Rat expelling function

## Introduction

ZKX6550V uses reliable high quality dual energy X-ray generator. With the superb image algorithm, ZKX6550V could offer clear scanning image, which allows operators to identify potential threat items visually.

ZKX6550V has innovative biometric identify function for operators, improving the security of system and preventing operator from forgetting password.

Advanced video surveillance technology can record each security process, and stored on the local hard disk, which allows operator and administrator review the surveillance video.

With advanced face recognition algorithm, ZKX6550V offers Black-list function could record face information of person who is suspicious. While a person is added to the Black-list, device would alarm to warn the operator when that individual goes through.

## Specifications

<b>Tunnel Size</b>	W655mm × H505mm
<b>Speed</b>	0.20 m/s
<b>Height of Transmission Belt</b>	700 mm
<b>Maximum Load</b>	≤180 kg (Adequate distribution)
<b>Wire Resolution</b>	40 AWG
<b>Space Definition</b>	Horizontal Φ1.0mm \ Vertical Φ2.0mm
<b>Penetrate Definition</b>	34 AWG
<b>Penetration</b>	38mm steel board
<b>Monitor</b>	21.5 inch LED x 2
<b>System Function</b>	High density alert, Explosive/ Drug auxiliary detect, TIP, Luggage counter, date/time display, User management, Training.
<b>Film Safety</b>	ASA/ISO1600 standard of film safety

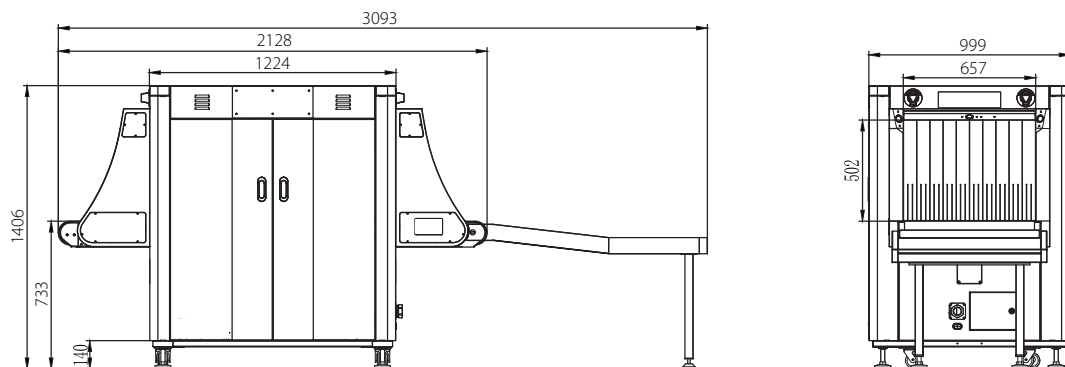
## X-ray System

<b>Tube Voltage</b>	150Kv
<b>Cooling</b>	Seal oil cooling / 100%
<b>Single Inspection Dosage Rate</b>	≤1.0 μ Gy
<b>Radiation Leak Dosage</b>	0.1 μ Gy/h (5cm from the surface)

## Installation Specification

<b>Package Size</b>	L2240mm × W1170mm × H1755mm
<b>Console Desk Size</b>	L830mm × W800mm × H1330mm
<b>Package Weight</b>	640KG+100KG(Console desk)
<b>Power Consumption</b>	1 kVA
<b>Noise</b>	53.8 dB(A)

## Dimension



More details

ZKTECO CO.,LTD.  
[www.zkteco.com](http://www.zkteco.com)  
 E-mail: [sales@zkteco.com](mailto:sales@zkteco.com)

© Copyright 2017. ZKTECO CO., LTD. ZKTeco Logo is a registered trademark of ZKTECO CO., LTD. or a related company. All other products and company names mentioned are used for identification purposes only and may be the trademarks of their respective owners. All specifications are subject to change without notice. All rights reserved.

